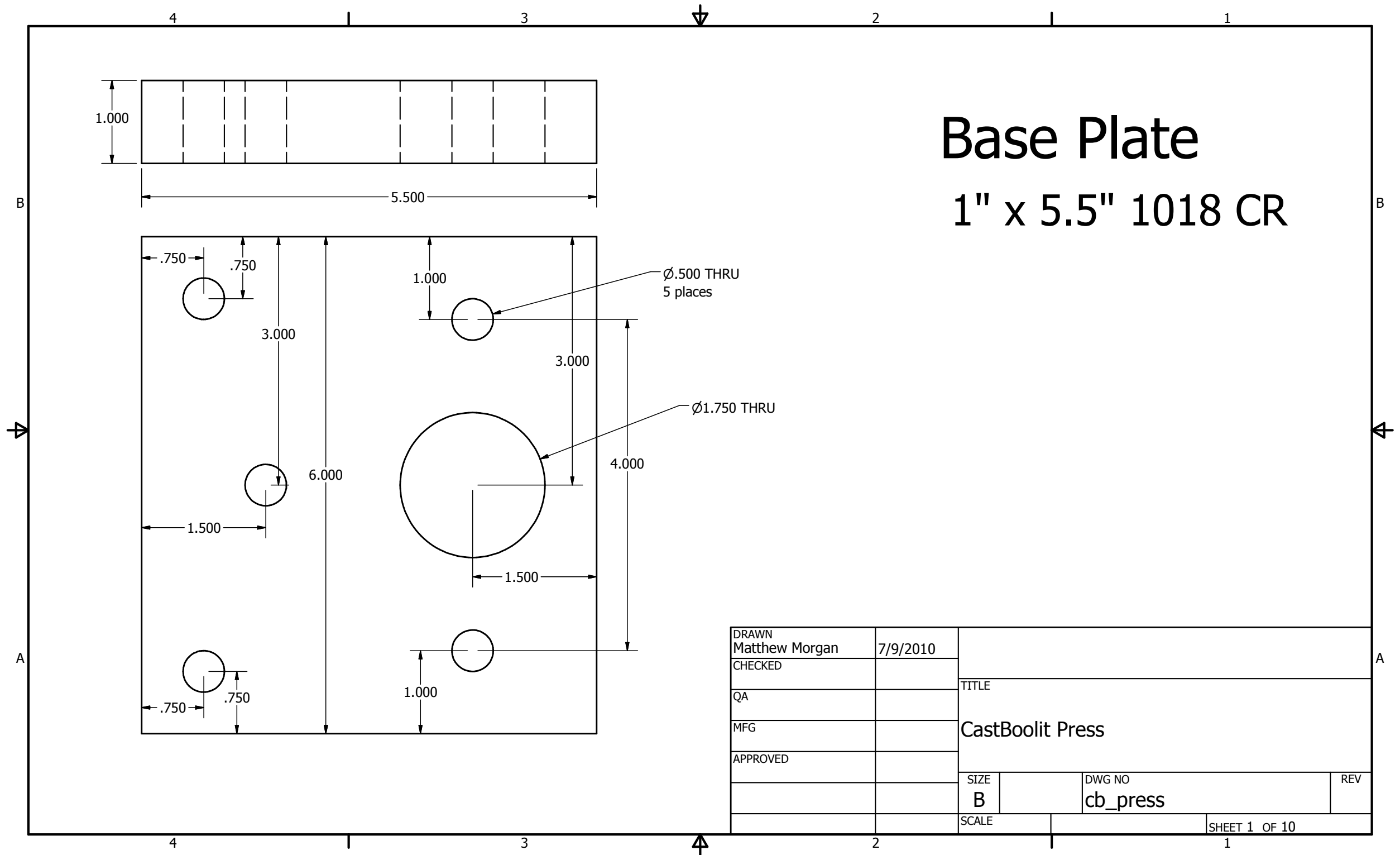
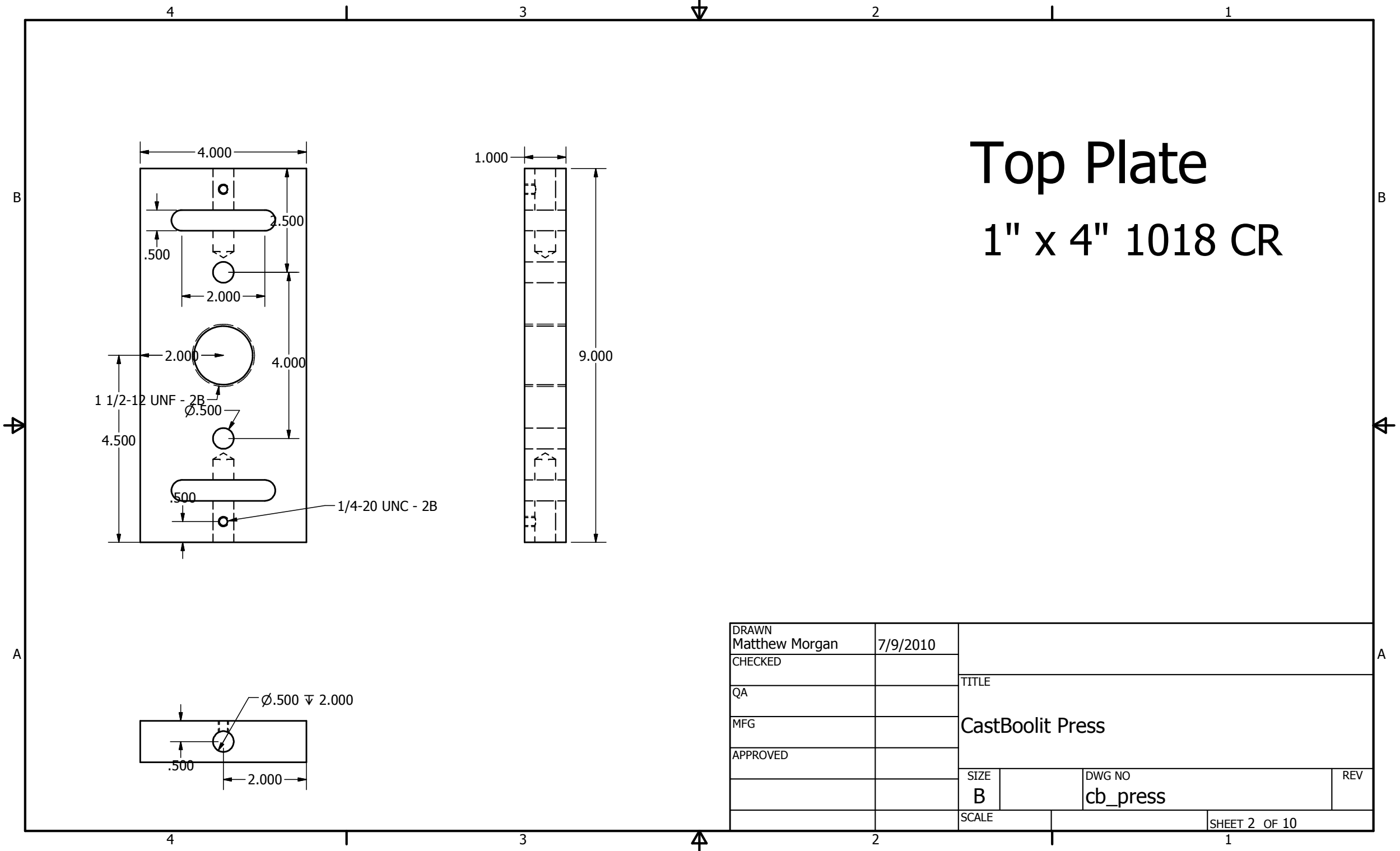


Base Plate

1" x 5.5" 1018 CR



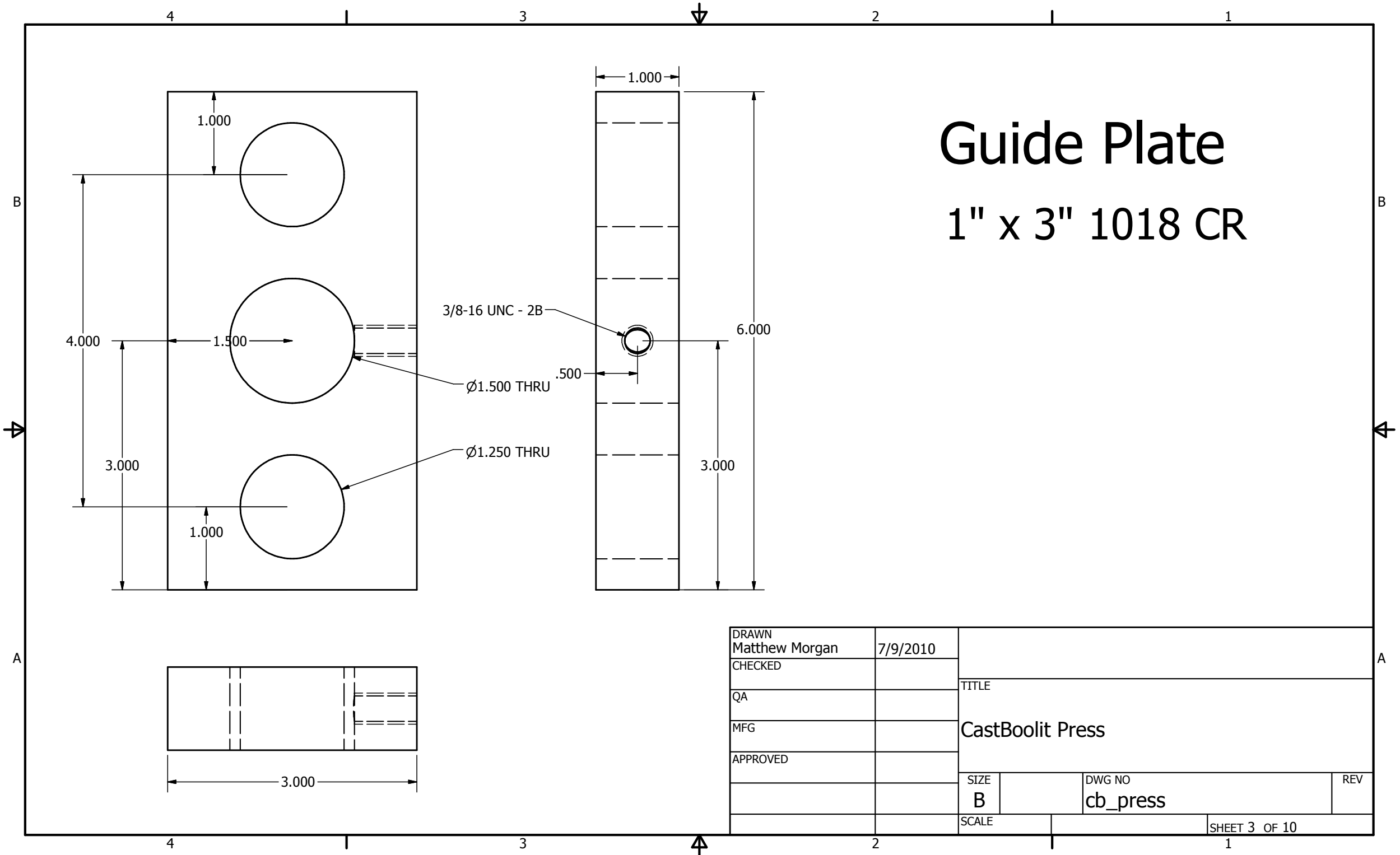
DRAWN Matthew Morgan	7/9/2010	TITLE		
CHECKED				
QA		CastBoolit Press		
MFG				
APPROVED		SIZE	DWG NO	REV
		B	cb_press	
		SCALE	SHEET 1 OF 10	



Top Plate

1" x 4" 1018 CR

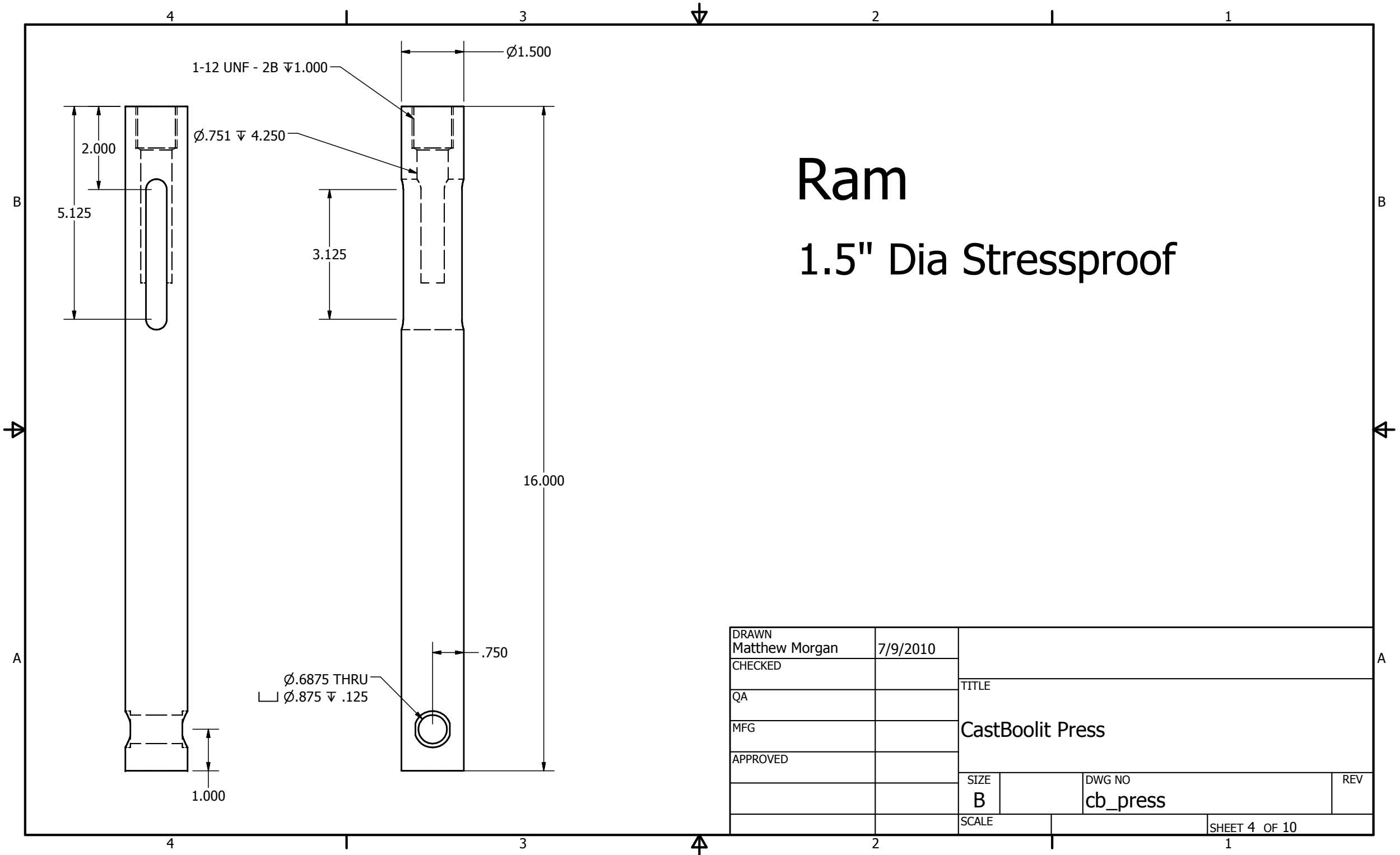
DRAWN Matthew Morgan	7/9/2010	TITLE		
CHECKED				
QA		CastBoolit Press		
MFG				
APPROVED		SIZE	DWG NO	REV
		B	cb_press	
		SCALE	SHEET 2 OF 10	



Guide Plate

1" x 3" 1018 CR

DRAWN Matthew Morgan	7/9/2010	TITLE CastBoolit Press		
CHECKED				
QA				
MFG				
APPROVED		SIZE B	DWG NO cb_press	REV
		SCALE	SHEET 3 OF 10	



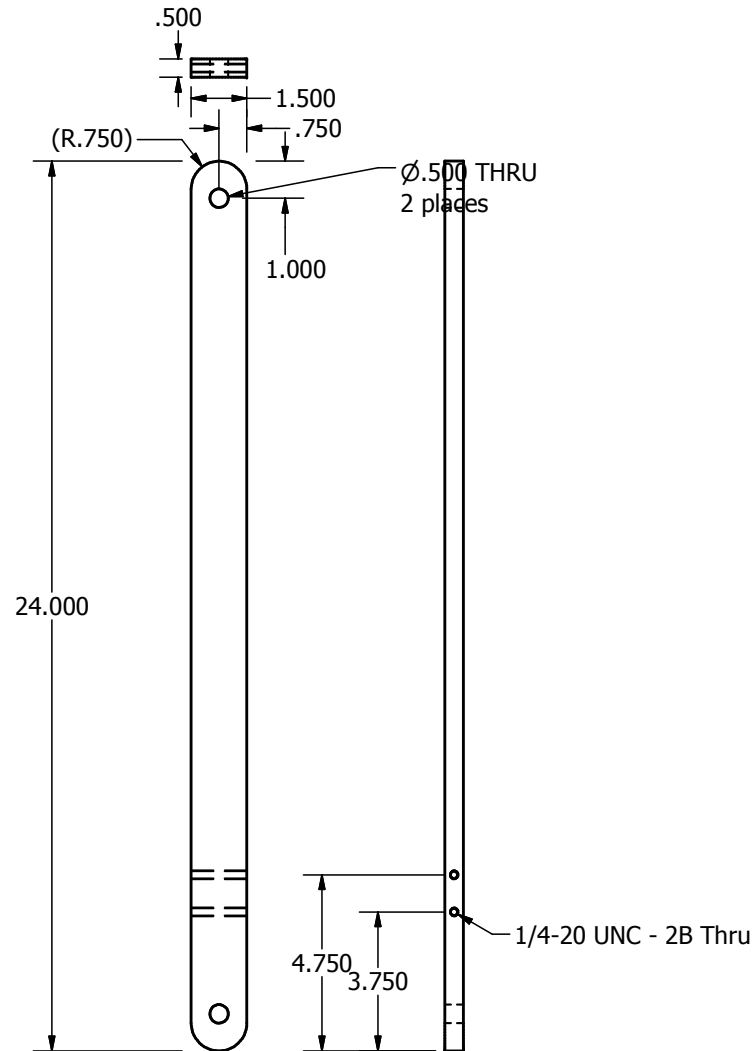
Ram

1.5" Dia Stressproof

DRAWN Matthew Morgan	7/9/2010	TITLE	
CHECKED		CastBoolit Press	
QA		SIZE	DWG NO
MFG		B	cb_press
APPROVED		SCALE	REV
		SHEET 4 OF 10	

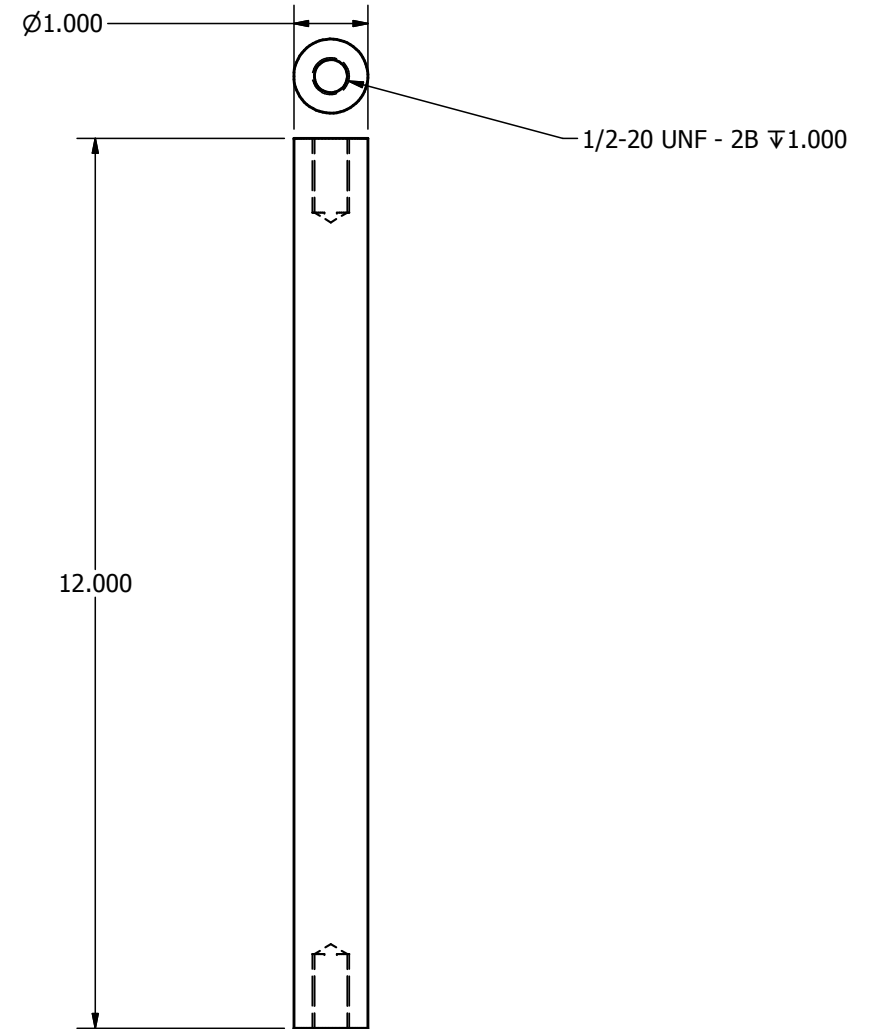
Toggle Link

1/2" x 1.5" 1018 CR

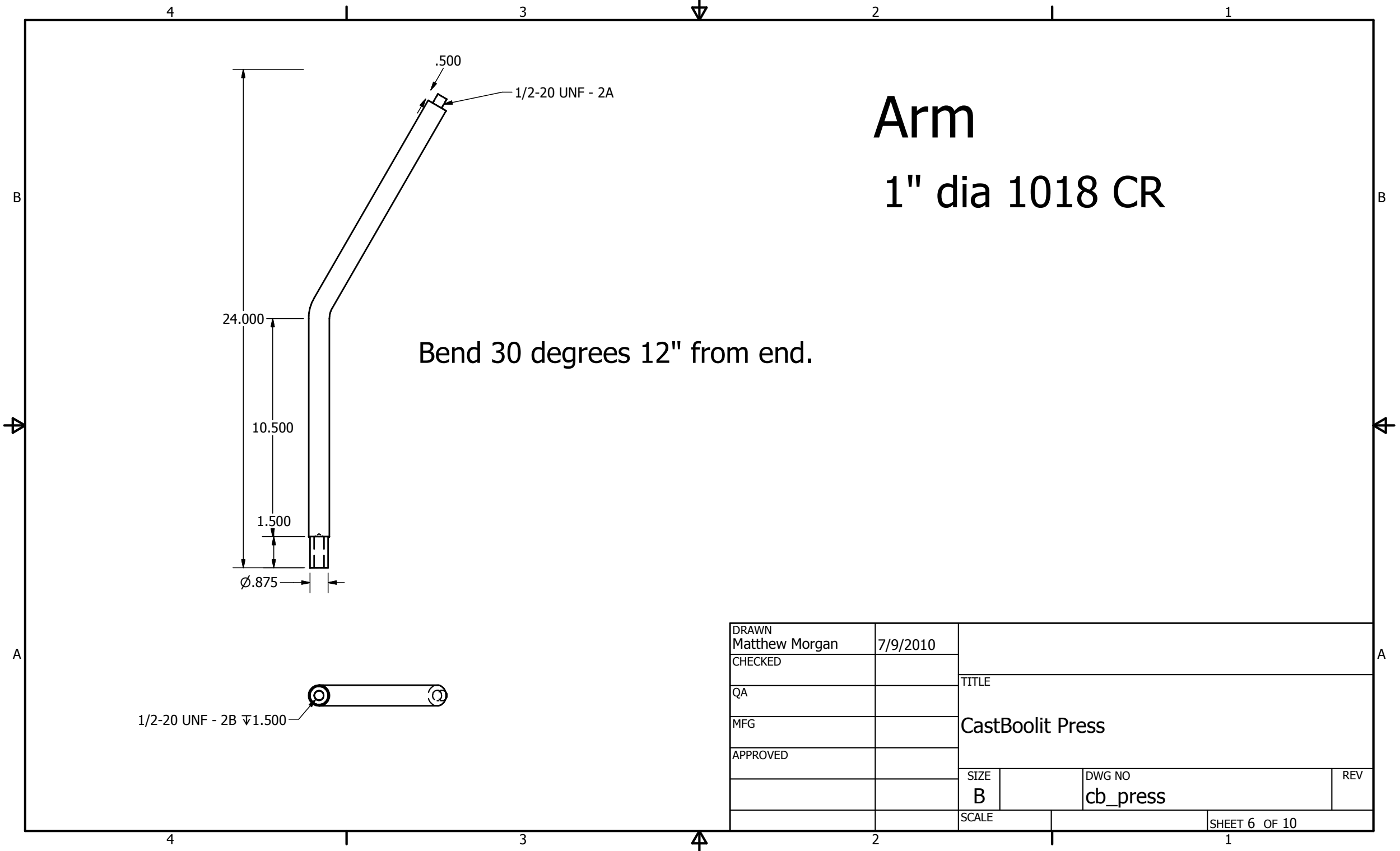


Guide Rod

1" dia Stressproof



DRAWN Matthew Morgan	7/9/2010		
CHECKED		TITLE	
QA		CastBoolit Press	
MFG		SIZE B	DWG NO cb_press
APPROVED		SCALE	REV
		SHEET 5 OF 10	



Arm

1" dia 1018 CR

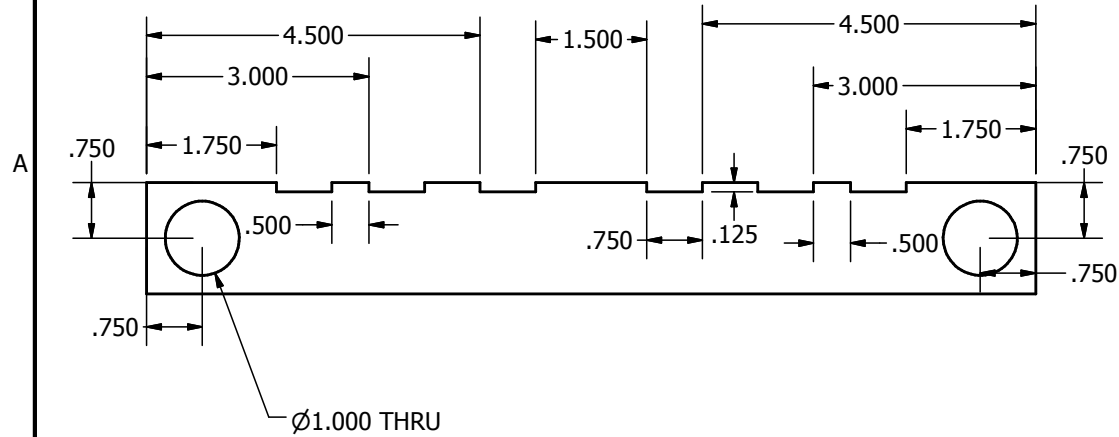
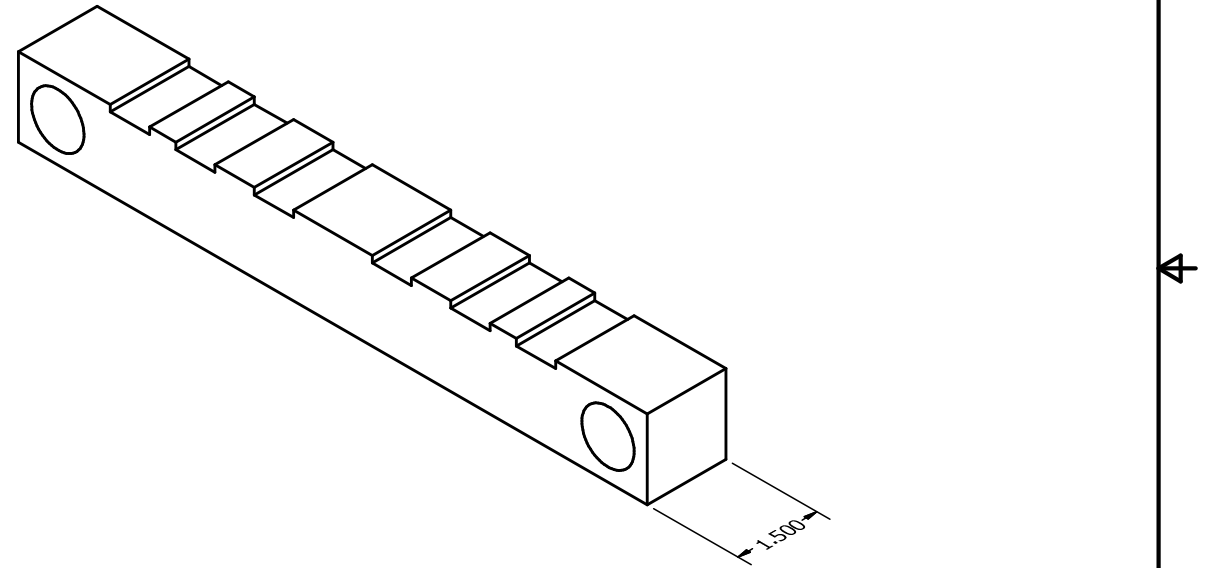
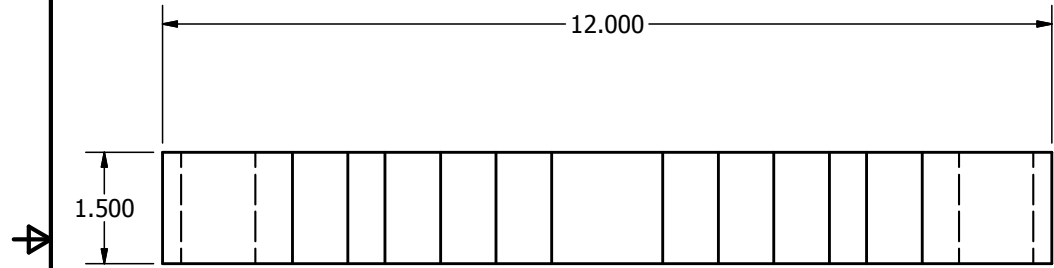
Bend 30 degrees 12" from end.

1/2-20 UNF - 2B ∇ 1.500

DRAWN Matthew Morgan	7/9/2010	TITLE		
CHECKED				
QA		CastBoolit Press		
MFG				
APPROVED		SIZE	DWG NO	REV
		B	cb_press	
		SCALE	SHEET 6 OF 10	

Toggle Bar

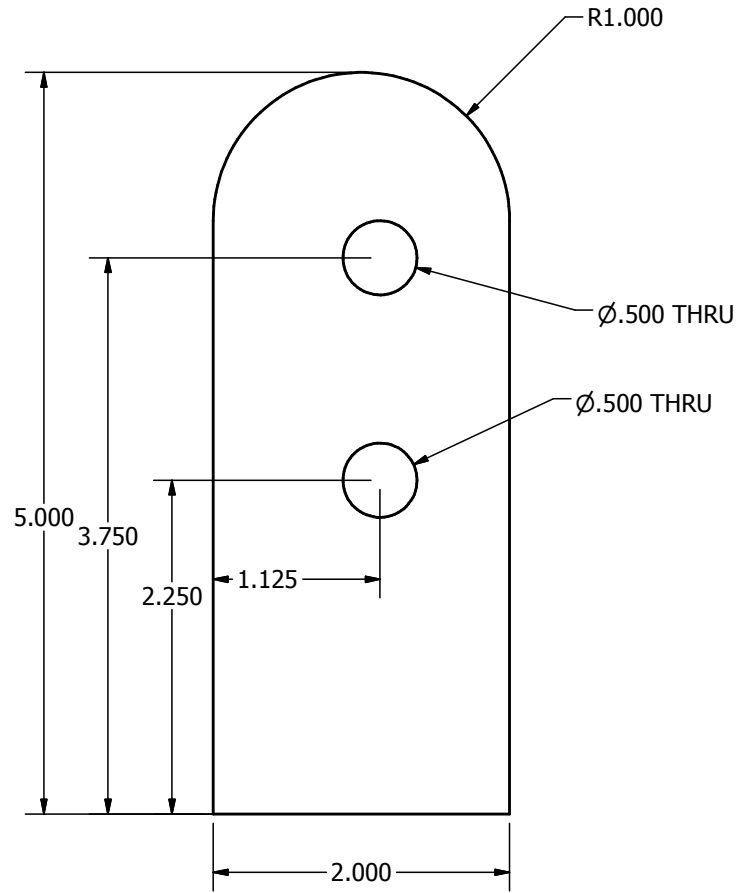
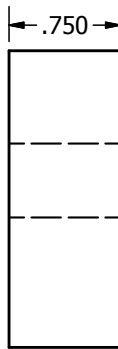
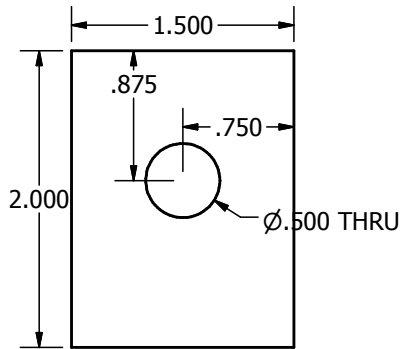
1.5" x 1.5" 1018 CR



DRAWN Matthew Morgan	7/9/2010		
CHECKED		TITLE	
QA		CastBoolit Press	
MFG			
APPROVED			
		SIZE B	DWG NO cb_press
		SCALE	REV
		SHEET 7 OF 10	

Toggle Arms

.75" x 2" 1018 CR

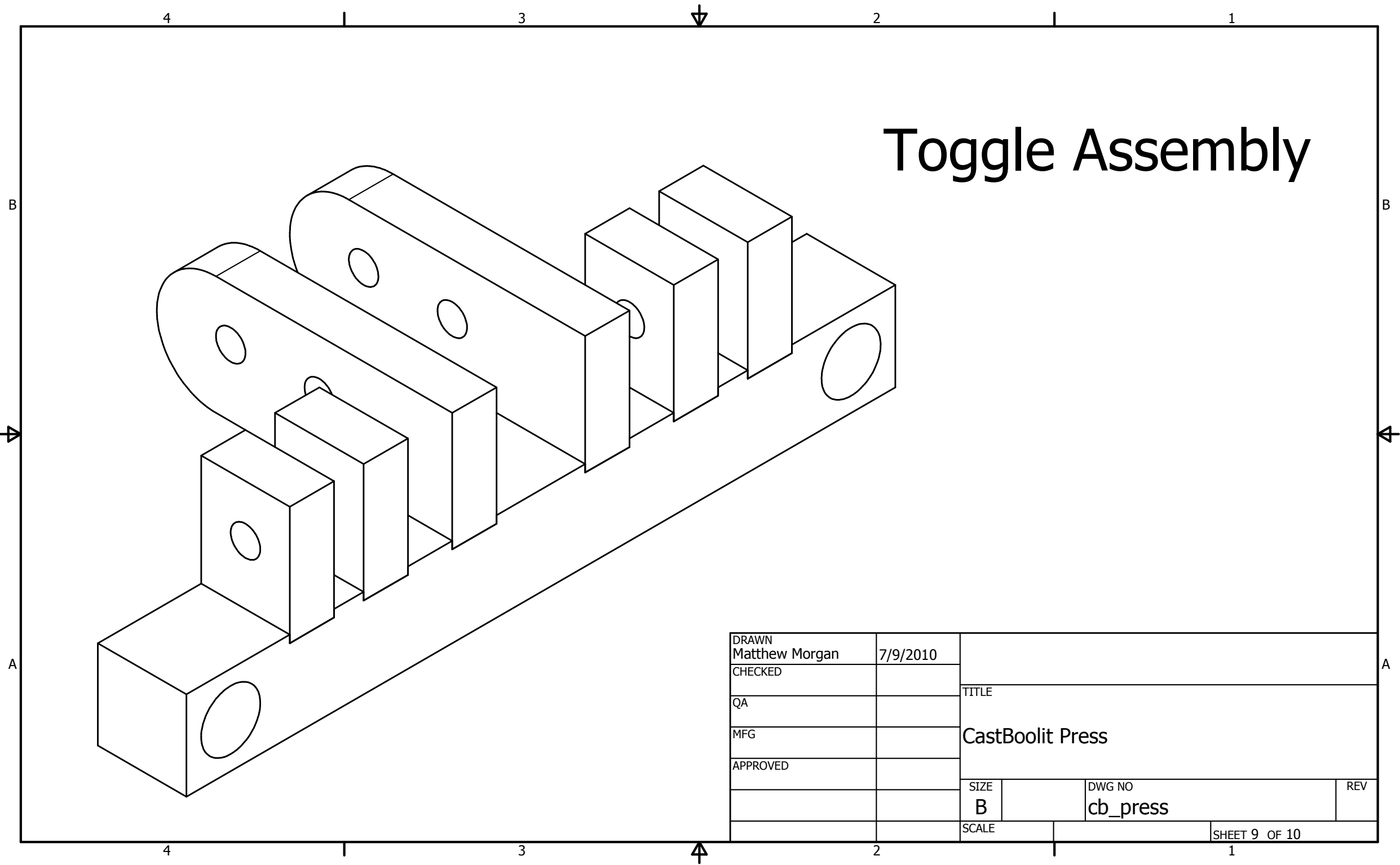


2 Required

4 Required

DRAWN Matthew Morgan	7/9/2010	TITLE CastBoolit Press		
CHECKED				
QA				
MFG				
APPROVED				
		SIZE B	DWG NO cb_press	REV
		SCALE	SHEET 8 OF 10	

Toggle Assembly



DRAWN Matthew Morgan	7/9/2010		
CHECKED		TITLE	
QA		CastBoolit Press	
MFG			
APPROVED			
		SIZE B	DWG NO cb_press
		SCALE	REV
		SHEET 9 OF 10	

4

3

2

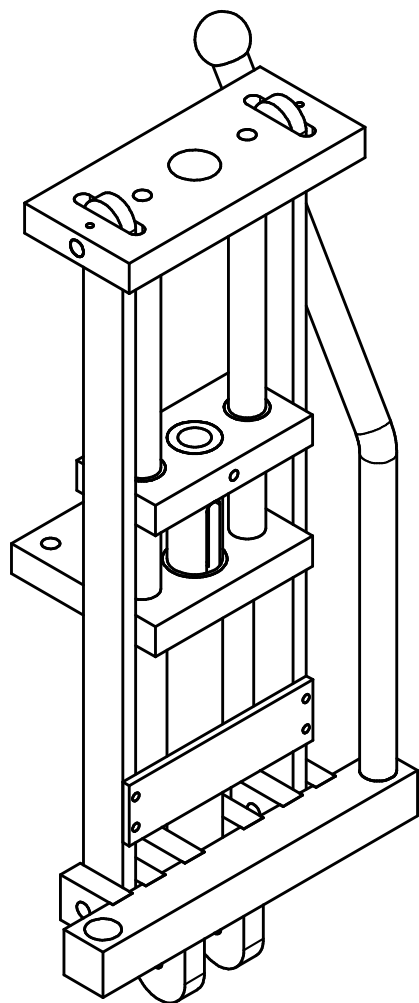
1



B

B

Press Assembly



A

A

DRAWN Matthew Morgan	7/9/2010	TITLE CastBoolit Press		
CHECKED				
QA				
MFG				
APPROVED		SIZE B	DWG NO cb_press	REV
		SCALE	SHEET 10 OF 10	

4

3

2

1

