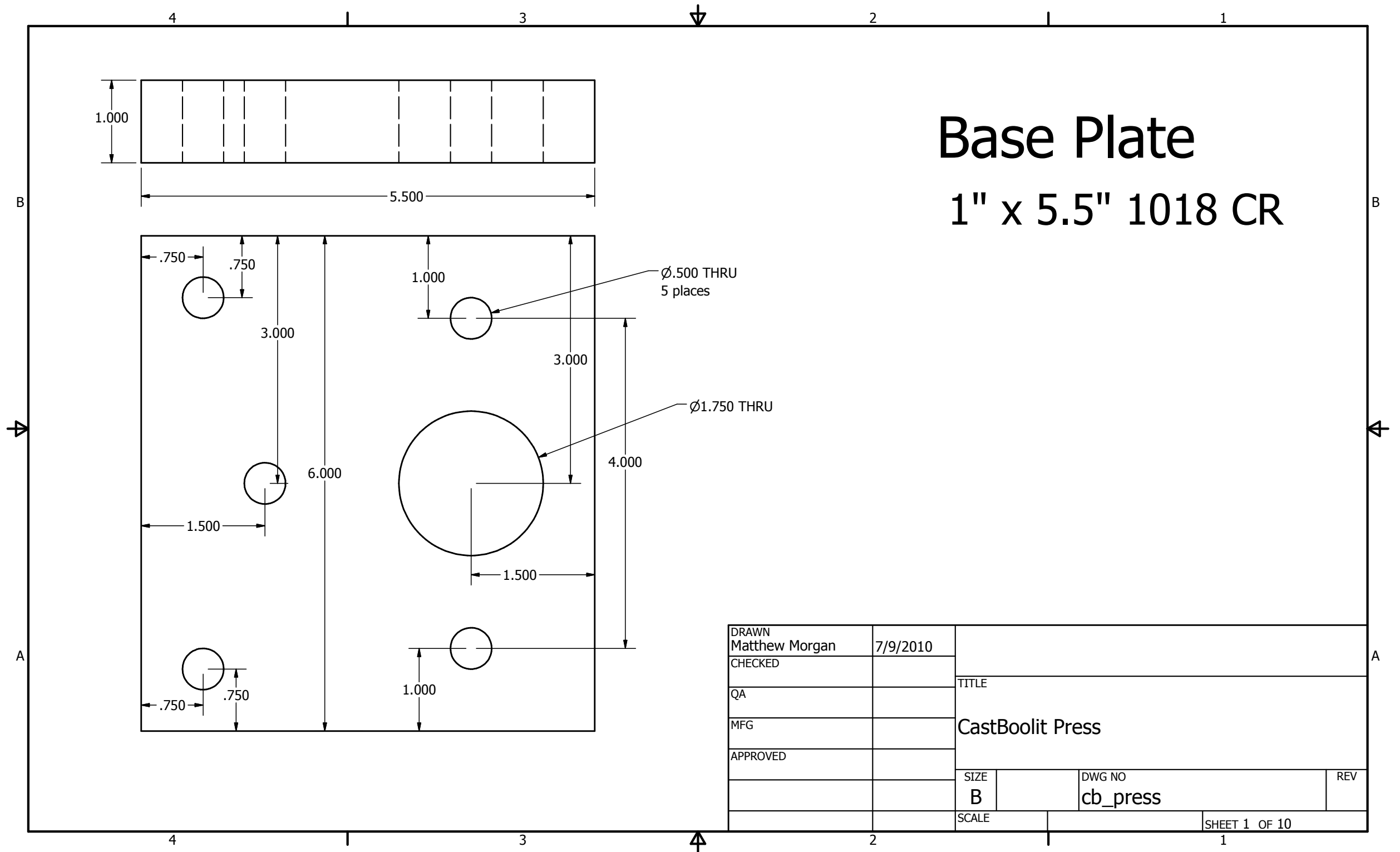


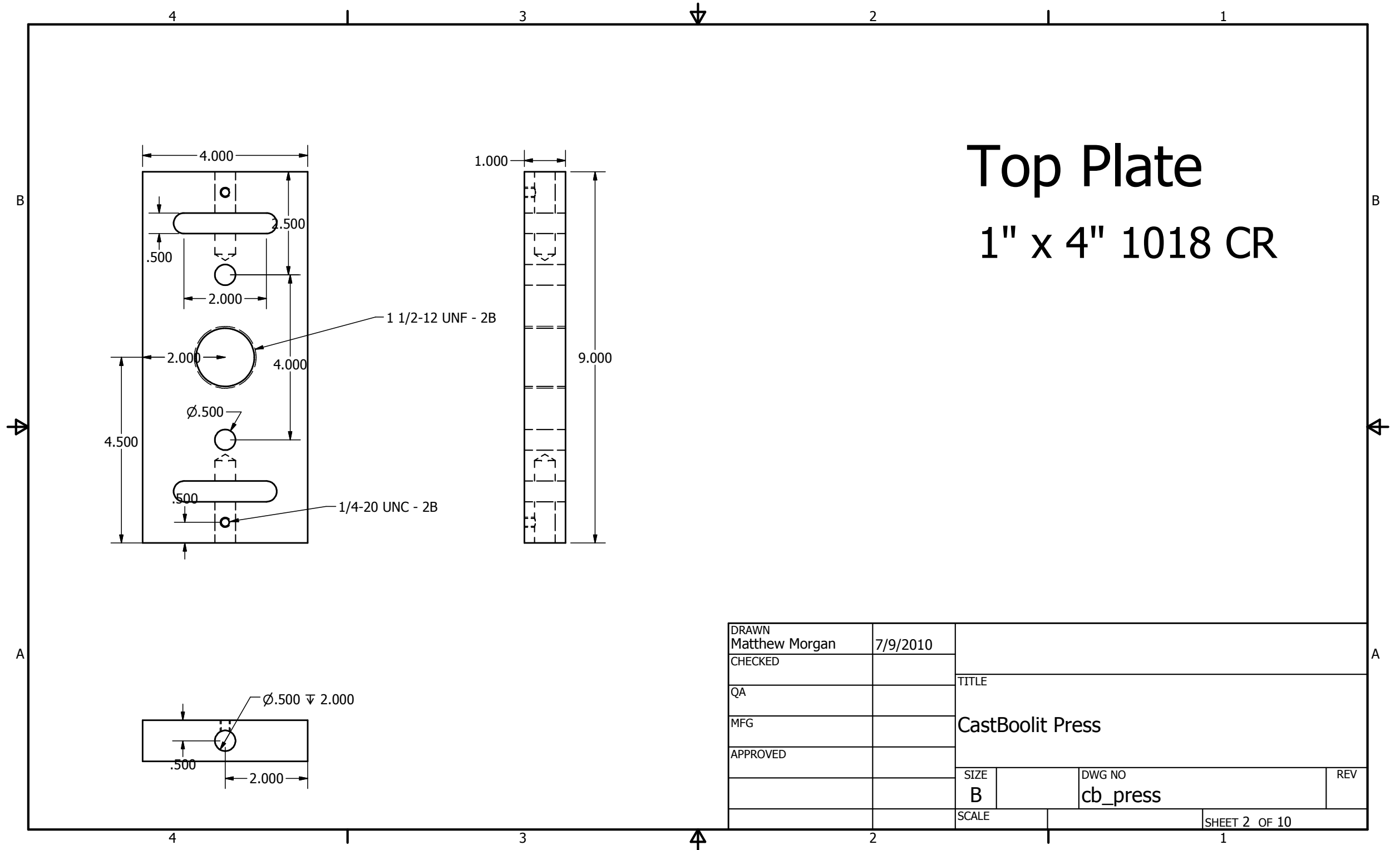
# Base Plate

1" x 5.5" 1018 CR

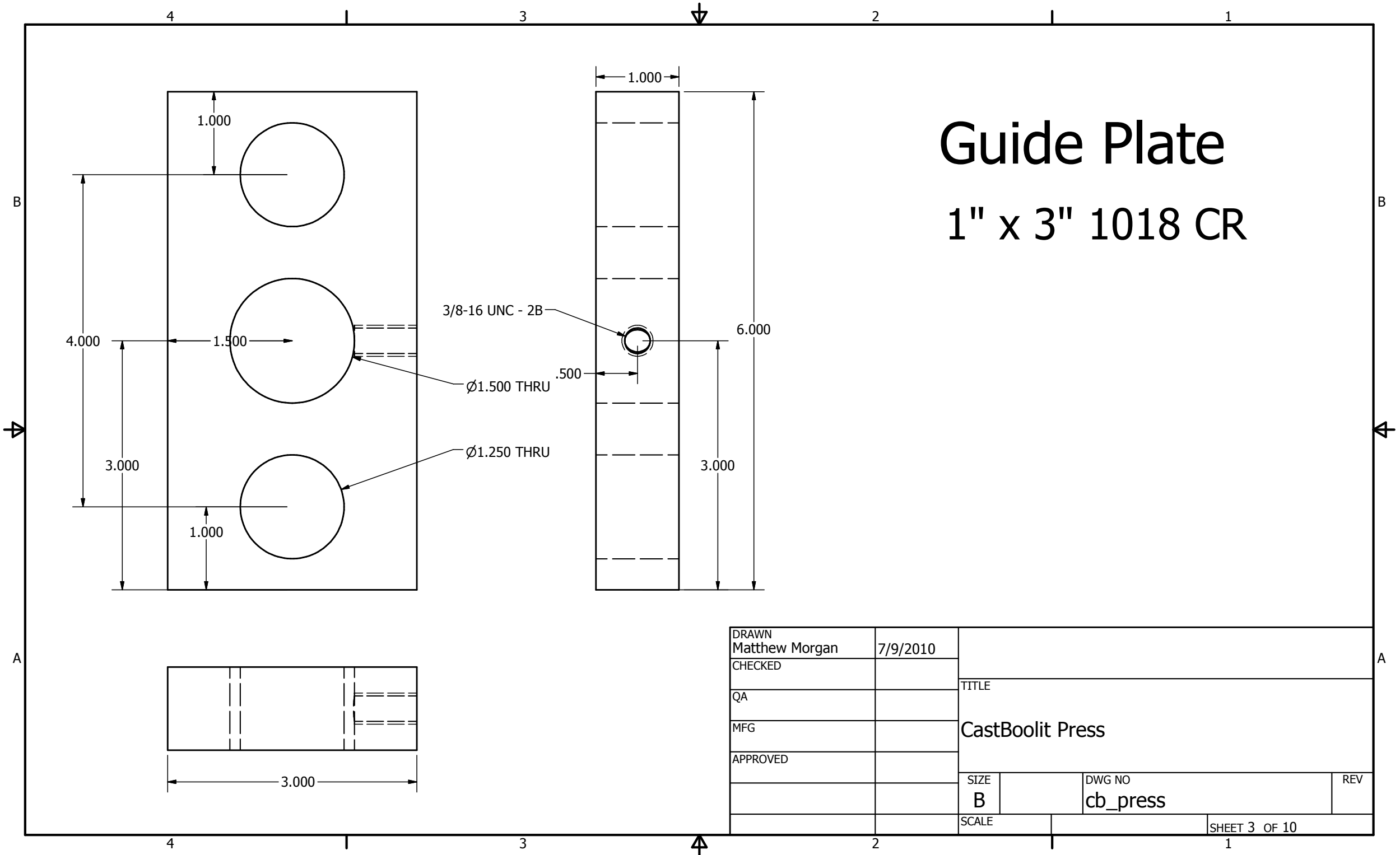


# Top Plate

## 1" x 4" 1018 CR



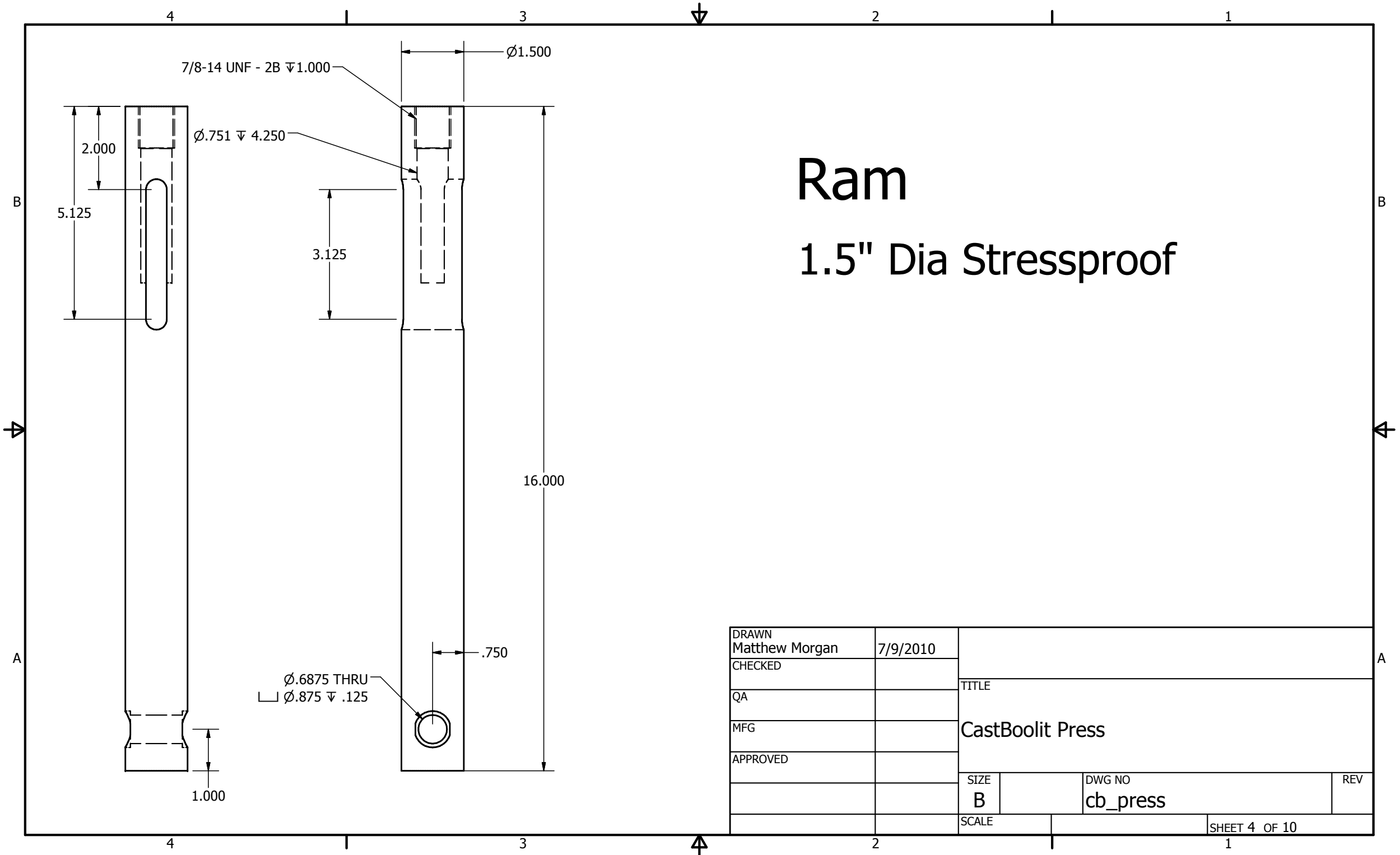
DRAWN Matthew Morgan	7/9/2010		
CHECKED		TITLE	
QA		CastBoolit Press	
MFG			
APPROVED			
		SIZE B	DWG NO cb_press
		SCALE	REV
		SHEET 2 OF 10	



# Guide Plate

## 1" x 3" 1018 CR

DRAWN Matthew Morgan	7/9/2010	TITLE	
CHECKED			
QA		CastBoolit Press	
MFG			
APPROVED		SIZE	DWG NO
		B	cb_press
		SCALE	REV



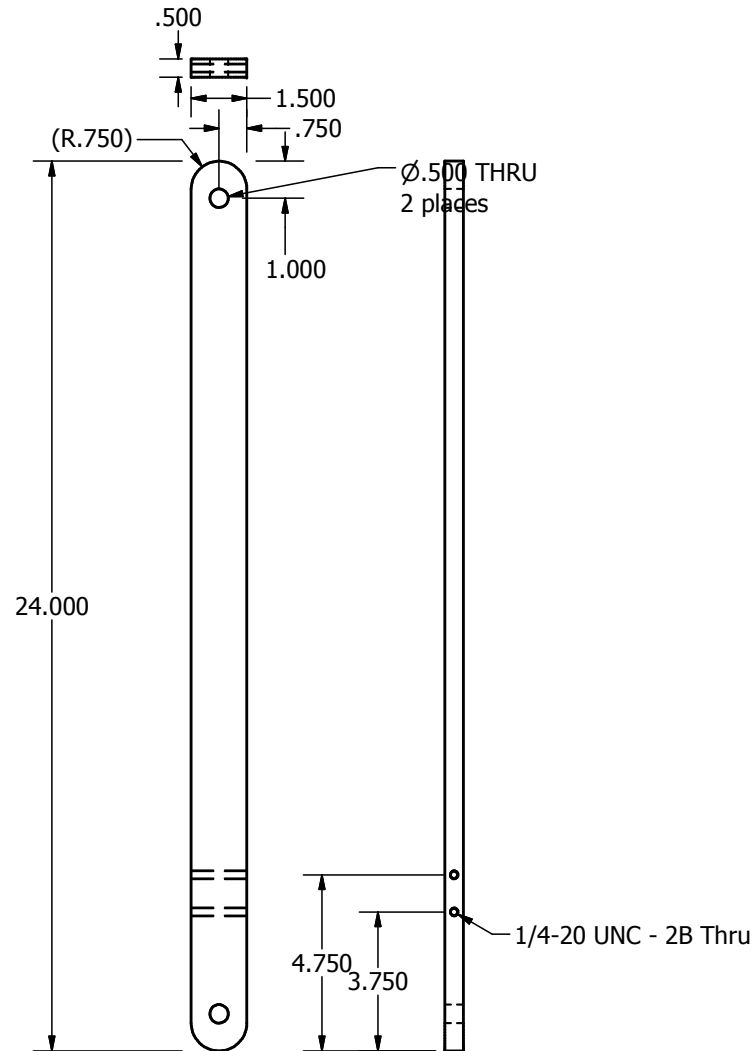
# Ram

## 1.5" Dia Stressproof

DRAWN Matthew Morgan	7/9/2010	TITLE	
CHECKED		CastBoolit Press	
QA		SIZE	DWG NO
MFG		B	cb_press
APPROVED		SCALE	REV
		SHEET 4 OF 10	

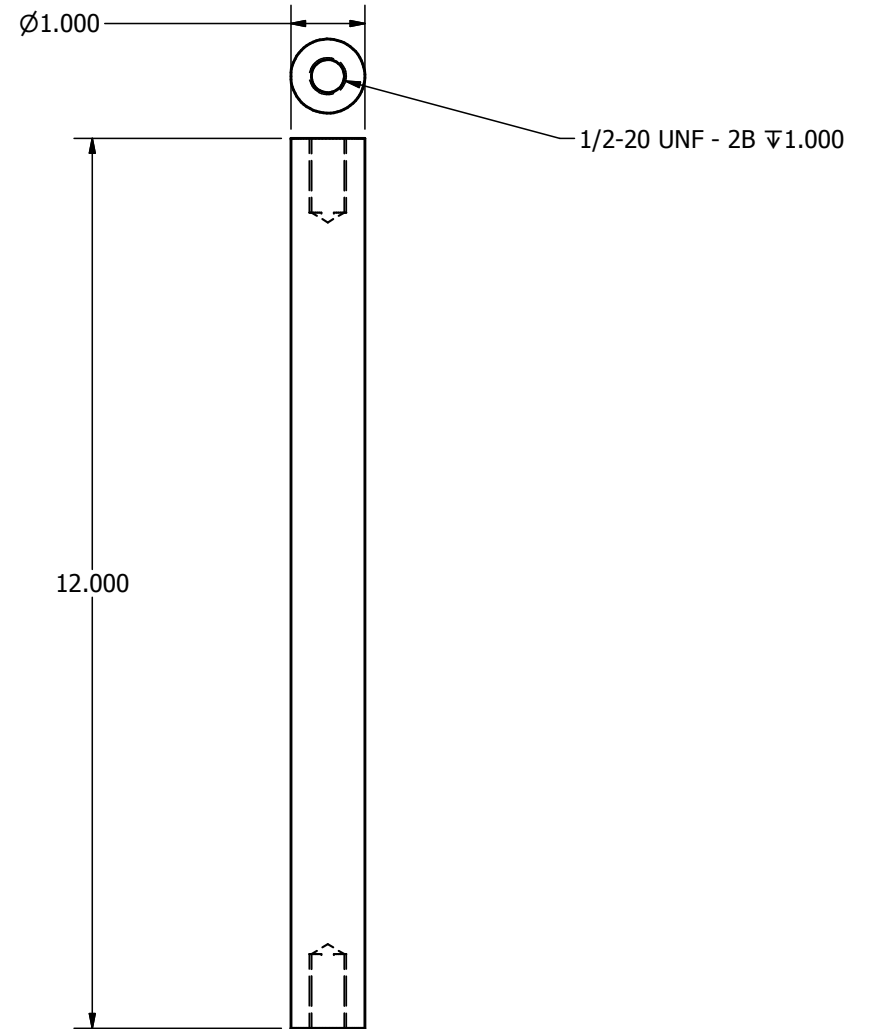
# Toggle Link

## 1/2" x 1.5" 1018 CR

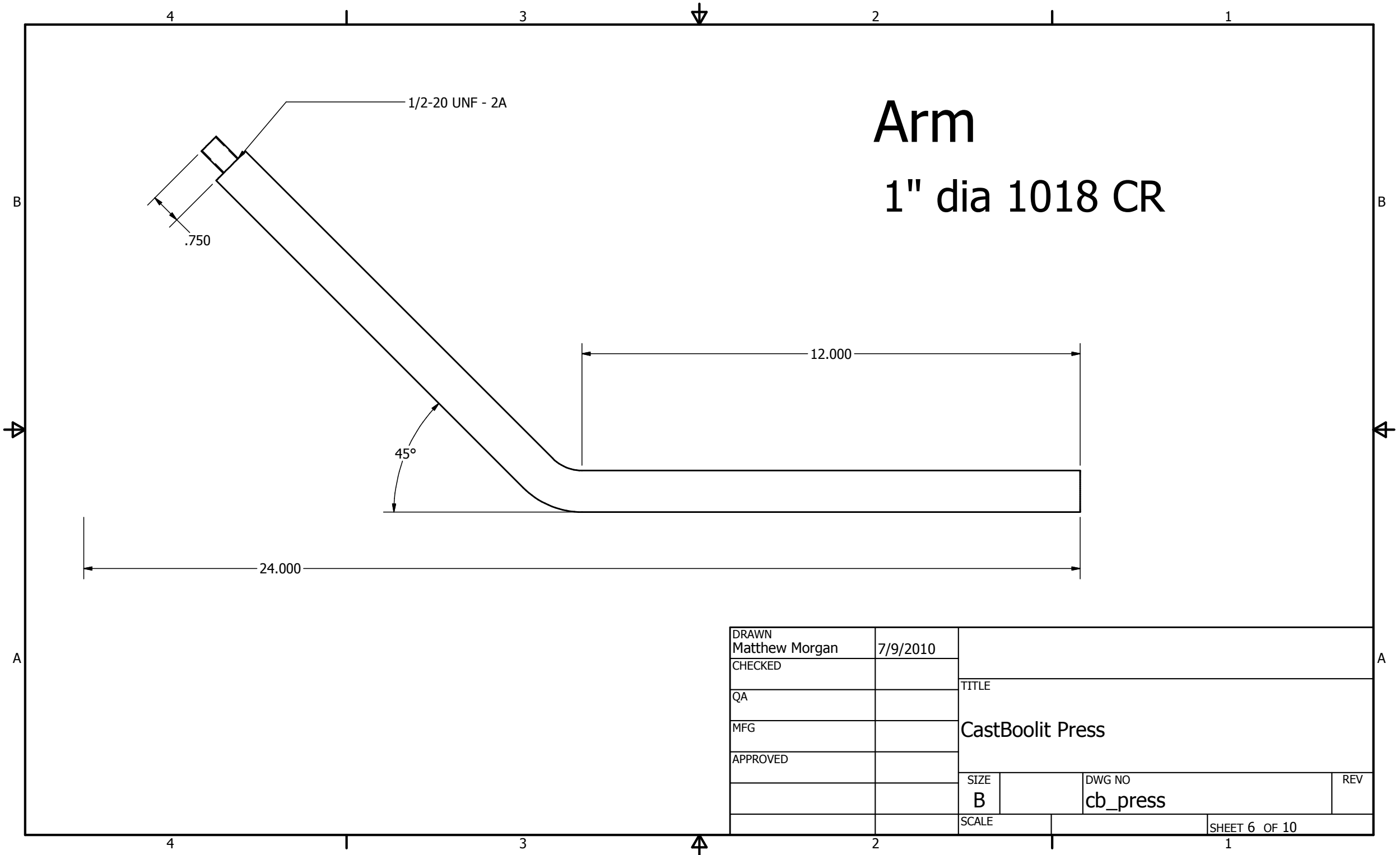


# Guide Rod

## 1" dia Stressproof



DRAWN Matthew Morgan	7/9/2010	TITLE	
CHECKED		CastBoolit Press	
QA		SIZE B	DWG NO cb_press
MFG		SCALE	REV
APPROVED		SHEET 5 OF 10	



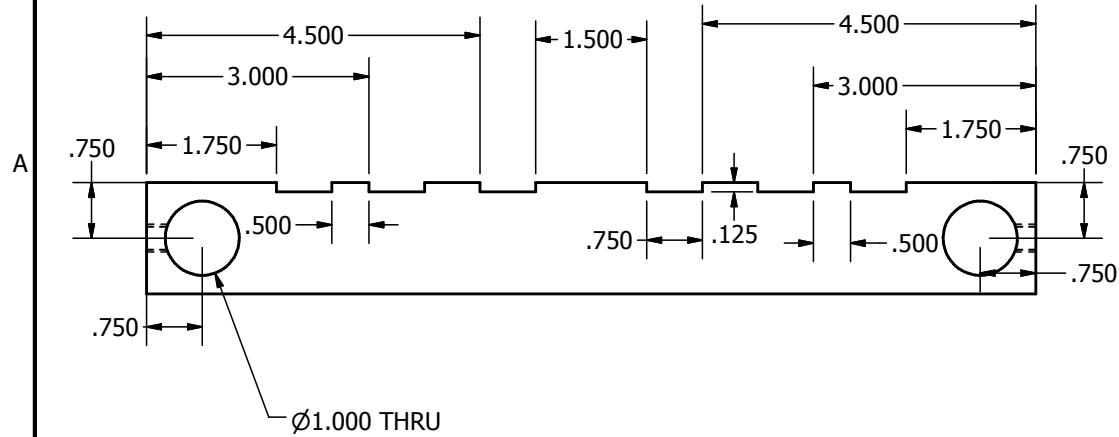
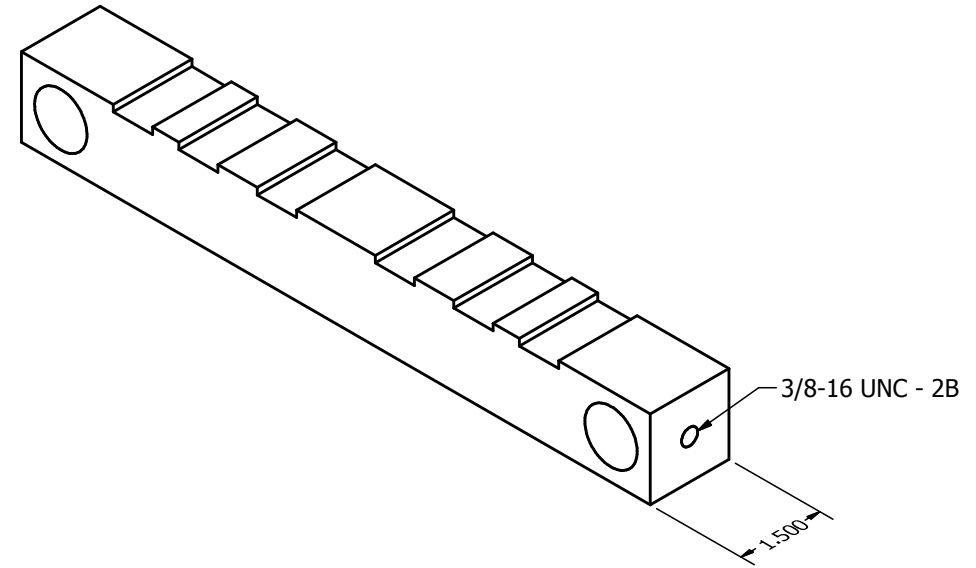
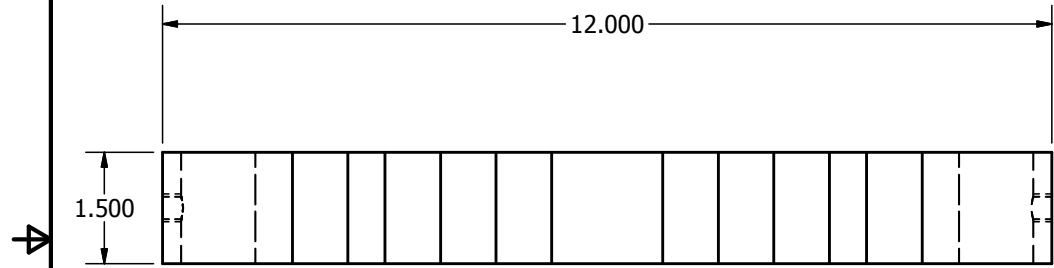
# Arm

## 1" dia 1018 CR

DRAWN	Matthew Morgan	7/9/2010		
CHECKED				
QA			TITLE	
MFG			CastBoolit Press	
APPROVED				
			SIZE	DWG NO
			B	cb_press
			SCALE	REV
			SHEET 6 OF 10	

# Toggle Bar

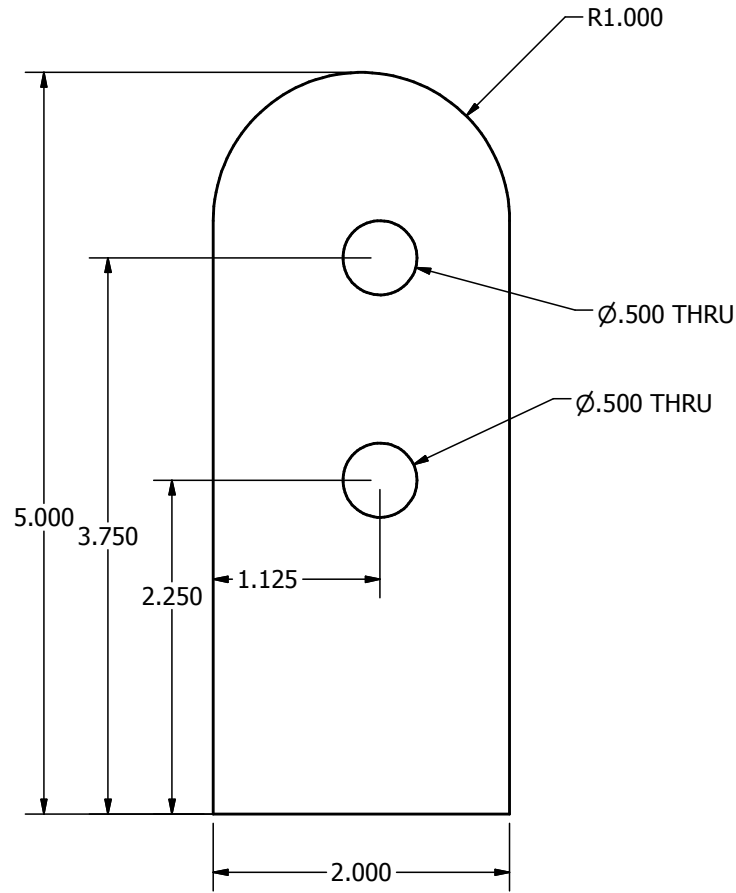
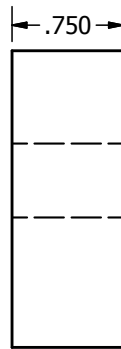
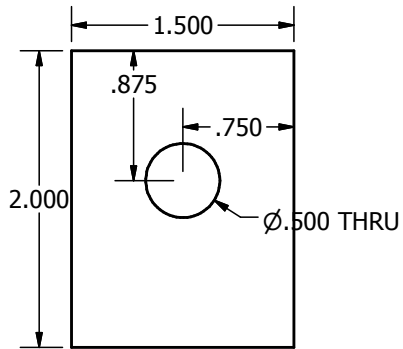
## 1.5" x 1.5" 1018 CR



DRAWN Matthew Morgan	7/9/2010		
CHECKED		TITLE	
QA		CastBoolit Press	
MFG			
APPROVED			
		SIZE <b>B</b>	DWG NO cb_press
		SCALE	REV
		SHEET 7 OF 10	

# Toggle Arms

.75" x 2" 1018 CR



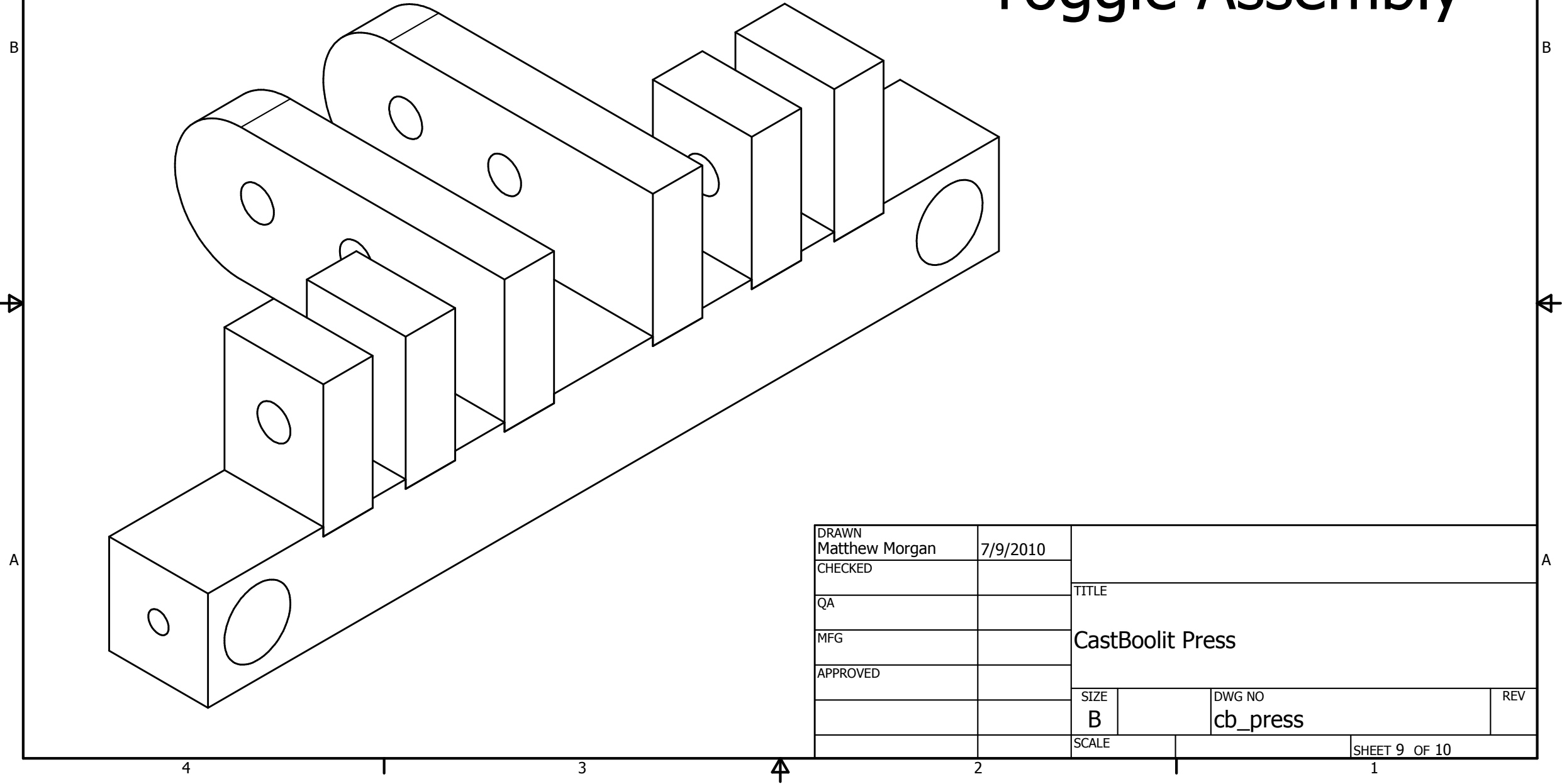
2 Required

4 Required

DRAWN Matthew Morgan	7/9/2010	TITLE  CastBoolit Press		
CHECKED				
QA				
MFG				
APPROVED				
		SIZE B	DWG NO cb_press	REV
		SCALE	SHEET 8 OF 10	

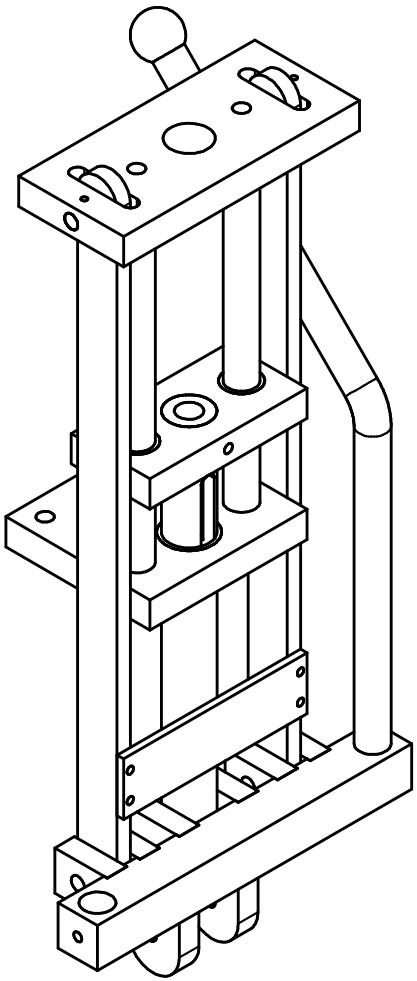


# Toggle Assembly



DRAWN Matthew Morgan	7/9/2010	TITLE		
CHECKED				
QA		CastBoolit Press		
MFG				
APPROVED		SIZE	DWG NO	REV
		B	cb_press	
		SCALE	SHEET 9 OF 10	

# Press Assembly



DRAWN Matthew Morgan	7/9/2010	TITLE		
CHECKED				
QA		CastBoolit Press		
MFG				
APPROVED		SIZE	DWG NO	REV
		B	cb_press	
		SCALE	SHEET 10 OF 10	